



TRU-BLU K9000[®] GROOM EASY

From \$13,400 + GST

Based on the Proven K9000[®] Design and Functionality

- No cash or payment system
- Key Start operation
- Rotary Dial user control
- Two speed blow dryer
- Onboard hot water options
- Hair free non-slip floor
- 2 x soap dispensing pumps (options available for additional pumps)
- More Cost Effective, Lighter Construction high grade stainless steel frame
- Ideal for Indoor Application



SUITED TO

- Grooming Salons ✓
- Boarding Kennels ✓
- Doggy Daycare and Pet Stores ✓

QUALITY, RELIABILITY, PROFIT. LET'S GET YOUR TAIL WAGGING!



PRICING

K9000® Groom Easy Key Start Dog Wash	\$13,400
Onboard 50L Hot Water System	\$1050
Additional product dispensing Pump	\$600
Waste Transfer Pump	\$1100
Freight- Delivered to site, over the phone commissioning	\$TBA



FIND US @



@k9000Dogwash



K9000Dog Wash



K9000dogwash.com

K9000® GROOM EASY TECHNICAL INFORMATION

TECHNICAL REQUIREMENTS

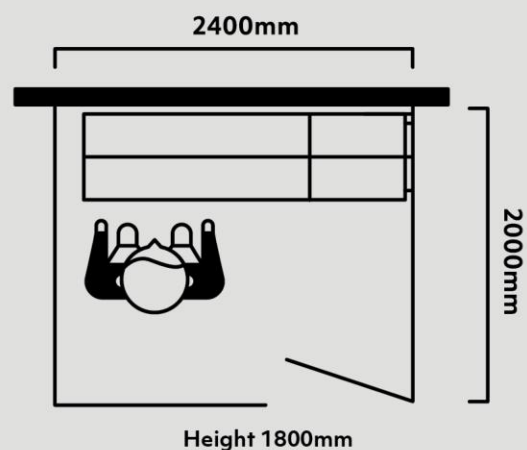
POWER (No onboard hot water- site supplied)	~220-240V	10 AMP
POWER (Onboard hot water)	~220-240V	32 AMP
WATER	40 psi (min) 1/2" Ball Valve	
WASTE	50 mm Diameter Outlet	
WEIGHT	240 Kg	

WARRANTY: 12 months, extended to 24 months when using soap products purchased from TruBlu.

DISPATCH: 2-4 weeks from receipt of deposit.

TERMS: 20% deposit, balance due before dispatch.

TYPICAL SITE REQUIREMENTS



For more information contact us on **03 5562 9088** or email info@trubludogwash.com.au